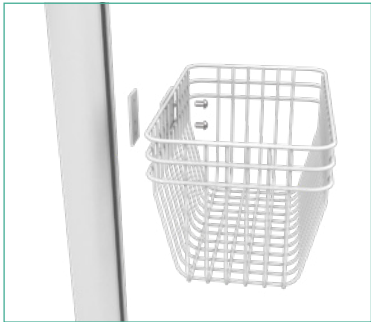




# InterFlow™ Gas Blender InterFlow™

Mobile equipment stand



Critical Care ▪ Patient Interfaces



**Ergonomic**

Simple lightweight design for easy to use



**Smooth and easy to clean surfaces**

Quick and easy to clean



**Multi-purpose**

Choice of equipment mounting



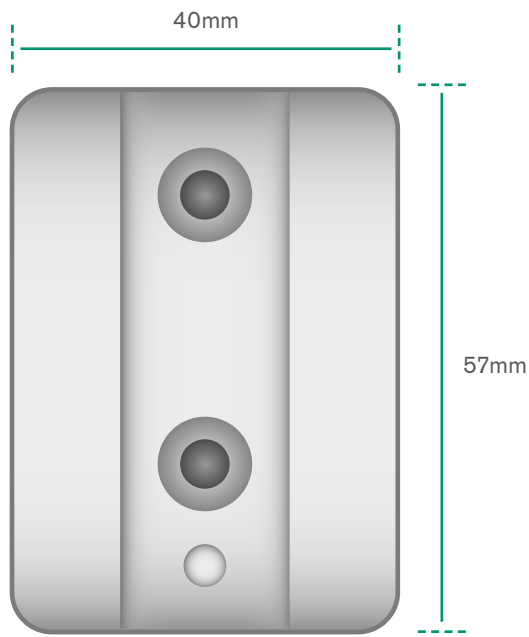
**Quick setup**

Supplied fully assembled with minimal packaging



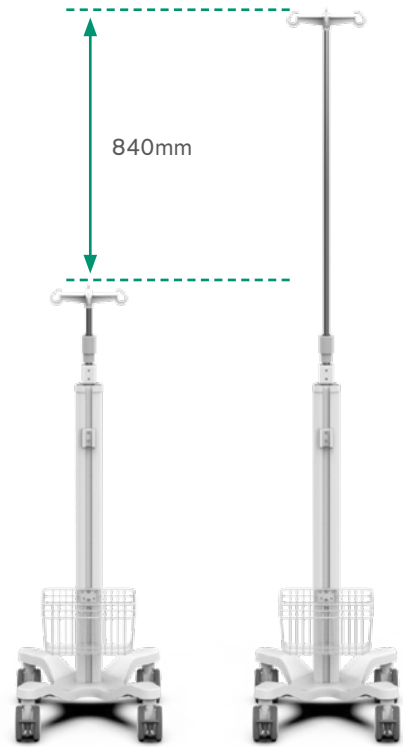


### Features



Includes two equipment mounting brackets

Basket with adjustable height




### Gas bottle kit



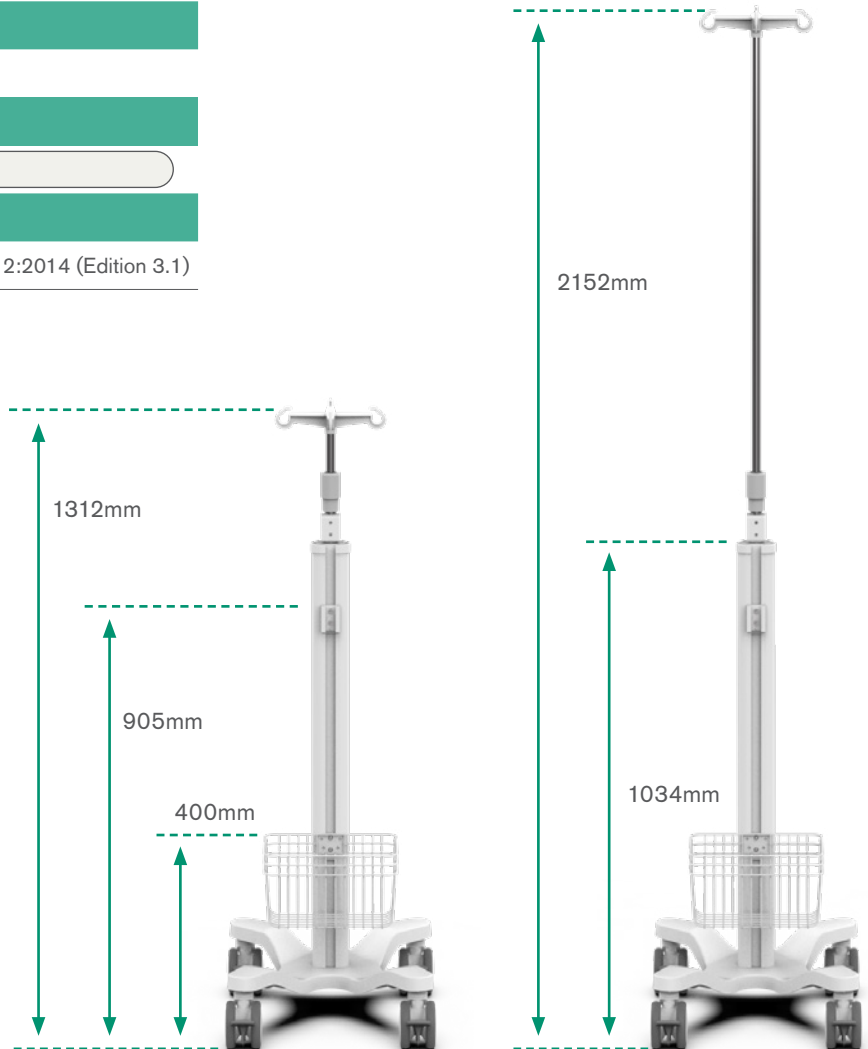
| Code    | Description            | Box Qty. |
|---------|------------------------|----------|
| 7600000 | Mobile equipment stand | 1        |
| 7600006 | Gas bottle kit         | 1        |

**Specifications**

| Mechanical data   |   |
|---|---|
| Height  | 1034mm  |
| Wheelbase dimension   | 616mm (diameter)  |
| Wheels construction   | Polyamide with Polyurethane thread  |
| Wheels/locking  | 4 lockable, 100mm (diameter)  |
| Loading capacity  | 20kg  |
| Angle of tilt   | 10°   |
| Construction  |   |
| Main assembly   | Aluminium   |
| Colour  |   |
| RAL 9016  |  |
| Certificates  |   |
| Certificates conforms to: 60601-1:2006+A12:2014 (Edition 3.1) |   |
| CE  | Rohs compliant  |

**Technical characteristics**

- Fully recyclable
- Large range of accessories
- Made in Hungary



IS1.69\_INT ▪ Issue 1 10.23



Intersurgical Ltd, Crane House, Molly Millars Lane, Wokingham, Berkshire, RG41 2RZ, UK  
 T: +44 (0)118 965 6300 info@intersurgical.com www.intersurgical.com



The manufacturer Intersurgical Ltd is certified to ISO 14001:2015, ISO 9001:2015, ISO 13485:2016 and MDSAP

**Please think before you print**  
 Save energy and paper. If you must print this information sheet please print it double sided.